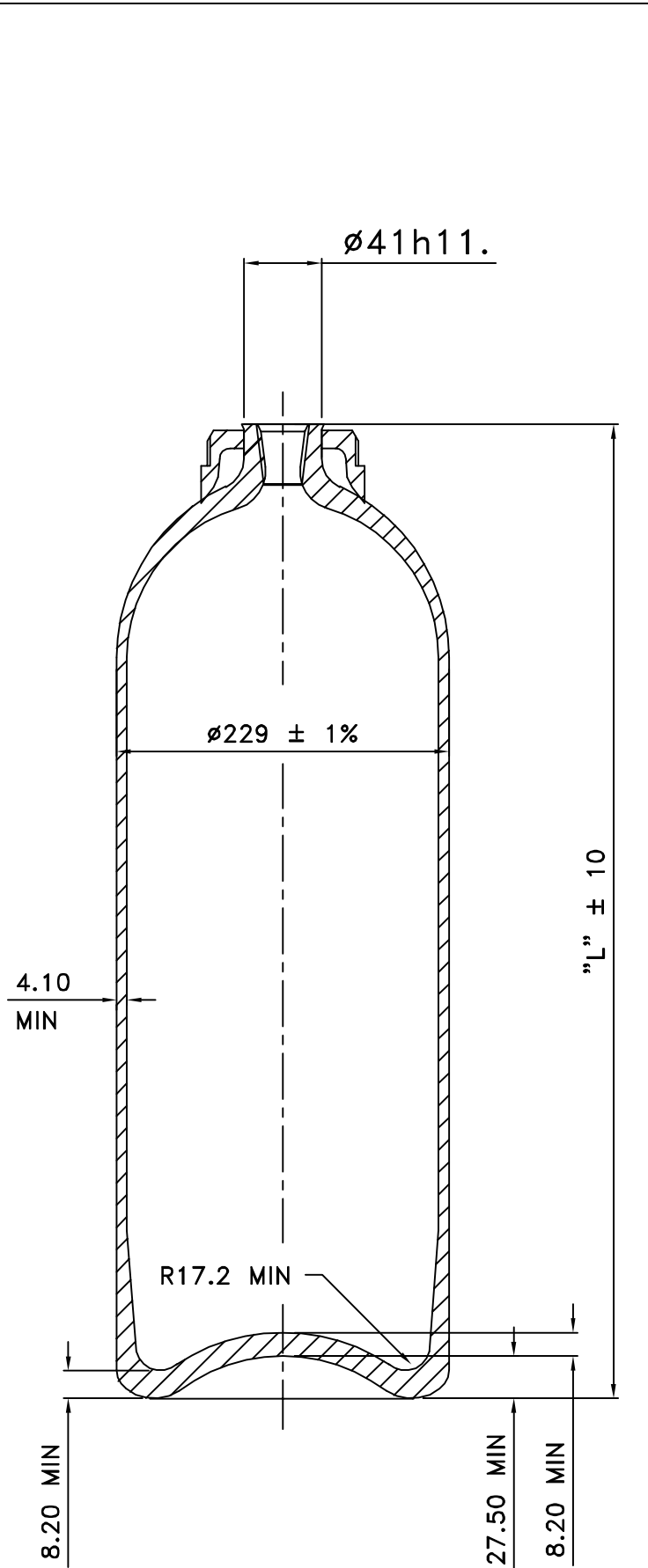


CHESTERFIELD SPECIAL CYLINDERS Ltd.

TITLE

SEAMLESS STEEL CYLINDER FOR COMPRESSED GASES
EXCEPT HYDROGEN AND METHANE.



SPECIFICATION

EN 1964 - 2 : 2001 & ISO 9809 - 2 : 2000

MATERIAL 34CrMo4 EN 10 083

ULT. TENSILE 1138/1258 MPa

YIELD 970 MPa MIN

ELONGATION 14% MIN ON 5.65 $\sqrt{S_0}$

TEST PRESSURE 300 BAR

CHARGING PRESSURE 200 BAR AT 15°C

CYLINDER NECK THREAD & FITTINGS TO
BS EN ISO 11363-1:2010 25E
COLLAR - $\phi 80 \times 11$ WHIT FORM

MANUFACTURED FROM HOT PIERCED BILLET

REF	MINIMUM WATER LITRES	LENGTH mm	NOMINAL WEIGHT CYLINDER & COLLAR KG
1	30	920	30.0

APPROVAL DRG. NO. LA4-0478

1	25.11.12	REF 2/3 REMOVED WHIT THREAD ADDED
REV	DATE	CHANGE

CHECKED _____ DATE _____
Re-DRAWN K.Pickles DATE 9.10.07.

DRG NO 38746P.

This drawing is confidential and it and the copyright therein are the property of
CHESTERFIELD SPECIAL CYLINDERS Ltd.

Registered Office. Meadowhall Road, Sheffield, South Yorkshire. S9 1BT.
Registered In England No 4869273

© 2007 CHESTERFIELD SPECIAL CYLINDERS Ltd.