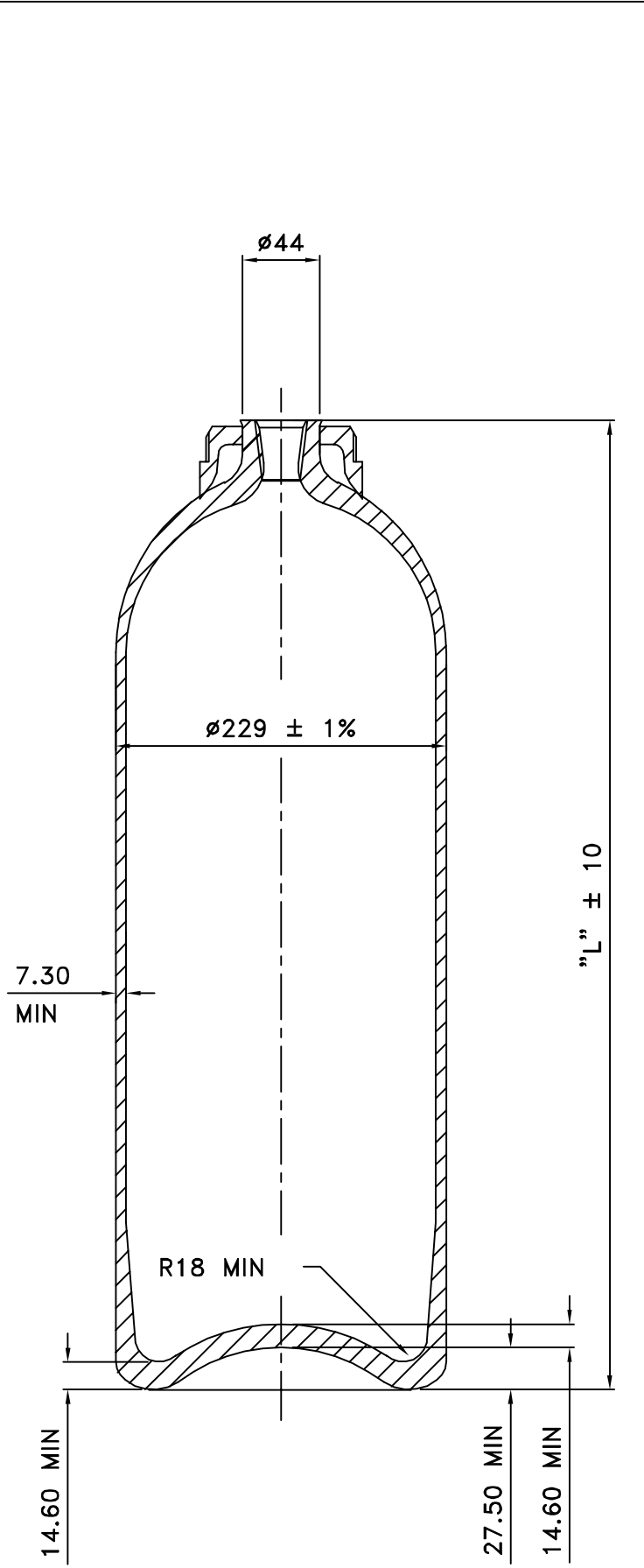


CHESTERFIELD SPECIAL CYLINDERS Ltd.

TITLE

SEAMLESS STEEL CYLINDER FOR COMPRESSED GASES
EXCEPT HYDROGEN AND METHANE.



SPECIFICATION

ISO 9809-2 : 2010

MATERIAL Cr.Mo. STEEL
QUENCHED & TEMPERED.

ULT. TENSILE 1135/1220 MPa

YIELD 990 MPa MIN

ELONGATION 12% MIN ON 5.65 $\sqrt{S_0}$

TEST PRESSURE 525 BAR

CHARGING PRESSURE ≤ 350 BAR AT 15°C

CYLINDER NECK THREAD & FITTINGS TO
BS EN ISO 11363-1:2010 25E.

COLLAR - $\phi 80 \times 11$ WHIT FORM

MANUFACTURED FROM HOT PIERCED BILLET

REF	MINIMUM WATER LITRES	LENGTH mm	NOMINAL WEIGHT CYLINDER & COLLAR KG
1	50	1570	78.5
2	44.5	1410	72.5
3			

APPROVAL DRG. NO. N1600-N6000 229 73 11.

REV	DATE	CHANGE
2	25/11/12	THREAD DETAIL CHANGED
1	27/04/11	STANDARD CHANGED - TBK

CHECKED M.G.Bunting DATE 26.1.07.

Re-DRAWN K.Pickles DATE 25.1.07.

DRG NO 38576P

This drawing is confidential and it and the copyright therein are the property of
CHESTERFIELD SPECIAL CYLINDERS Ltd.
Registered Office. Meadowhall Road, Sheffield, South Yorkshire. S9 1BT.
Registered In England No 4869273
© 2007 CHESTERFIELD SPECIAL CYLINDERS Ltd.